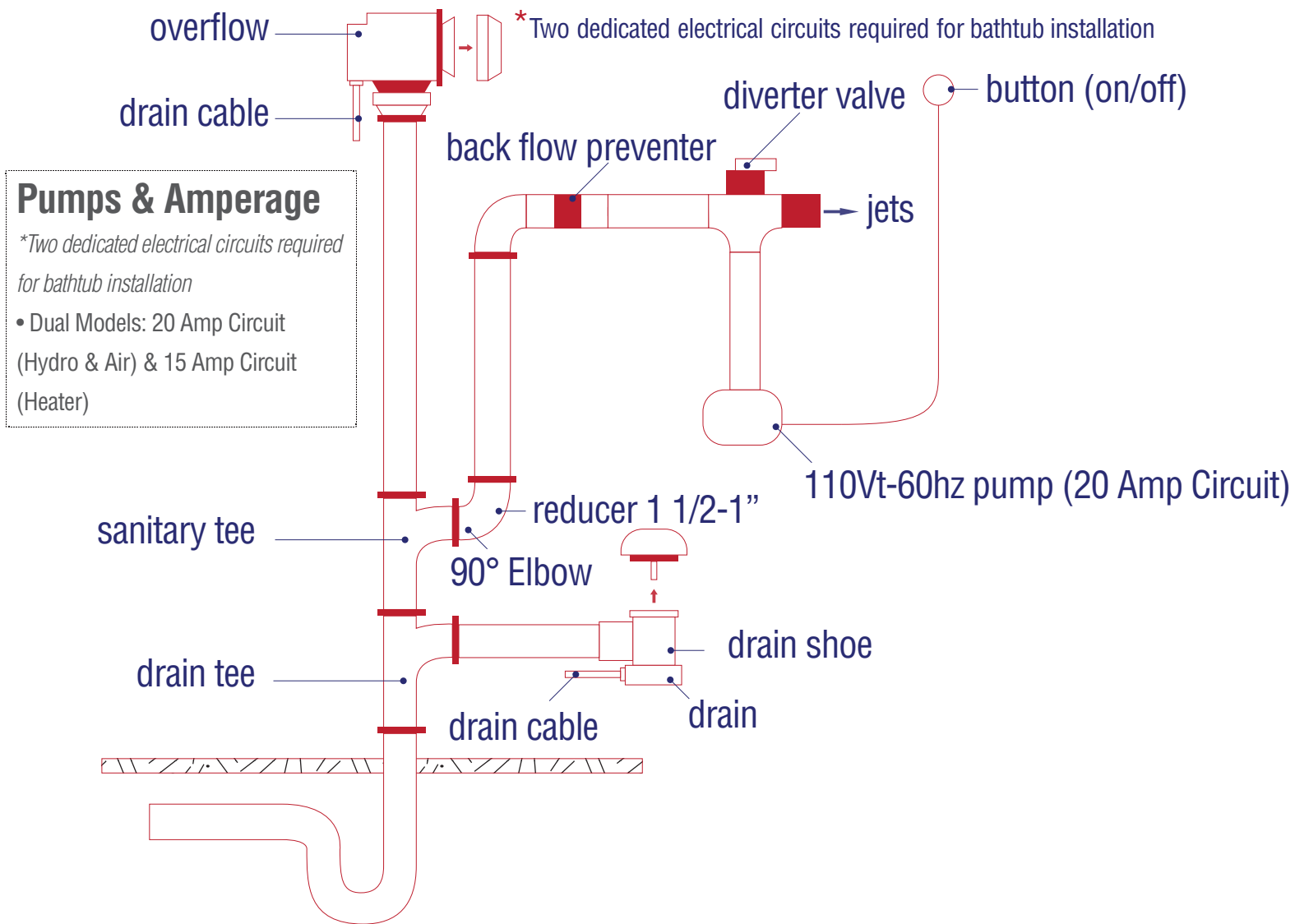


# ACCESS TUBS AUTO DRAIN SPECIFICATIONS

## Connection of the Auto Drain for dual system units

- Drain System requires the connection to a minimum 1 ½ sanitary drain line.
- Use UPC Approved PVC Glue, primer, and Schedule 40 1 ½" pipe.
- Do not change or modify the location and or piping of the Back Flow Preventer.
- The sanitary tee is installed directly above the drain tee with clearance not greater than 1".
- Dry fit the drain overflow assembly to the sanitary drainage pipe and check for proper fit.
- Glue the Auto Drain, pipe and drain overflow assembly to the sanitary drainage pipe.
- NOTE: Water tight installation of the waste/ overflow is the installer's responsibility. Drain leakage is excluded from Access Tubs warranty of this product.



*We have taken responsible precautions to ensure the Auto Drain is suitable for residential plumbing. It is the responsibility of the installer to insure the sanitary system is acceptable for the use of the Auto Drain. We do not accept responsibility for damage arising from the use of the Auto Drain.\**

\*-ensure compliance with local plumbing codes and requirements.